

# SPE-110

Network Video Encoder

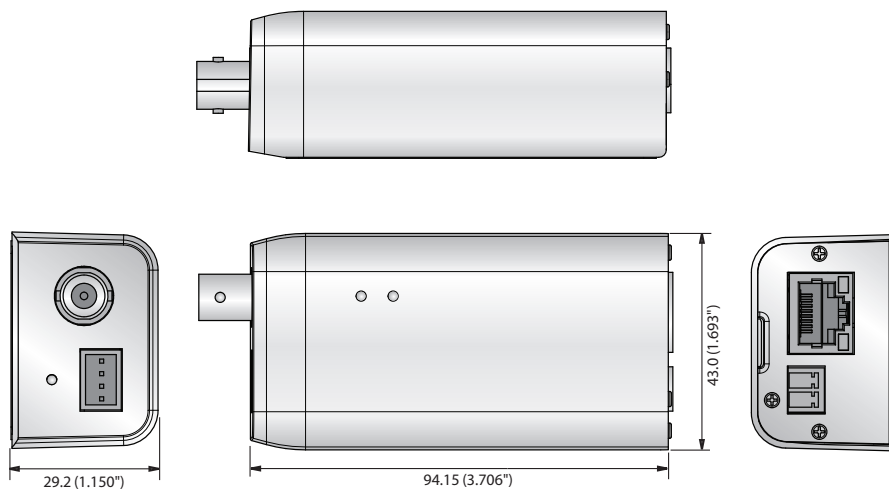


## Key Features

- Max. 4MP resolution
- Max. 15fps@4MP, Max. 30fps@2MP
- Motion detection, Video loss, Tampering
- H.264, MJPEG codec support
- Multiple streaming (Up to 3 profiles per CH)
- Coaxial control, 10/100 Base-T

## Dimensions

Unit : mm (inch)



	SPE-110N	SPE-110P
<b>VIDEO</b>		
Input Channel	1CH BNC 1.0 Vp-p / 75Ω composite NTSC / PAL	
Input Signal & Resolution	CVBS, AHD (720p, 1080p, 4MP), CVI (720p, 2MP), TVI (720p, 2MP) - Auto / Manual detection	
<b>OPERATIONAL</b>		
Motion Detection	Off / On (4ea rectangular)	
Privacy Masking	Off / On (4ea rectangular zones)	
De-Interlacing	Support	
Alarm Trigger	Motion Detection, Video Loss, Tampering	
Alarm Events	File Upload Via FTP, E-mail	
Remote Control Interface	1ea RS-485 / 422	
RS-485 Protocol	SAMSUNG-T, PELCO-P / D	
Coaxial Control	NTSC / PAL : Pelco-C (Coaxitron) AHD : ACP (AHD Coax Protocol)	
<b>NETWORK</b>		
Ethernet	1 RJ-45 10/100 Base-T	
Video Compression Format	H.264 (MPEG-4 Part 10/AVC) : Main / Baseline / High MJPEG	
Resolution	4M 1920x1080, 1280x720, 928x480, 704x480, 704x240, 352x240, 640x360	4M 1920x1080, 1280x720, 928x576, 704x576, 704x288, 640x360, 352x288
Max. Framerate	- Main Stream 4MP : 15fps / CH, 1080p / 720p / WD1 / 4CIF / CIF : 30fps / CH(N), 25fps / CH(P) - Sub Stream WD1 / 4CIF : 12fps / CH, 2CIF / CIF / QVGA / QCIF : 30fps / CH(N), 25fps / CH(P) - JPEG : 2fps @ 1920x1080, 1280x720, 960H, D1	
Bitrate Control Method	H.264 : CBR or VBR MJPEG : CBR	
Streaming Capability	Dual streaming (Up to 3 profiles per channel)	
IP	IPv4, IPv6	
Protocol	TCP / IP, UDP / IP, RTP (UDP), RTP (TCP), RTCP, RTSP, NTP, HTTP, HTTPS, SSL / TLS, DHCP, PPPoE, FTP, SMTP, ICMP, IGMP, SNMPv1 / v2c / v3 (MIB-2), ARP, DNS, DDNS, QoS, PIM-SM, UPnP, ONVIF, Bonjour	
Security	HTTPS (SSL) login authentication, Digest login authentication, IP address filtering, User access log, 802.1X authentication (EAP-TLS, EAP-LEAP)	
Streaming Method	Unicast / Multicast	
Max. User Access	20 users at unicast mode	
Webpage Languages	15 languages English, Korean, Chinese, Spanish, Portuguese, Russian, Japanese, French, German, Italian, Turkish, Polish, Dutch, Swedish, Czech	

	SPE-110N	SPE-110P
Web Viewer	Supported OS : Windows 7, 8.1, 10, Mac OS X 10.10, 10.11, 10.12 Supported Browser : Google Chrome 63, MS Edge 41, Mozilla Firefox 57 (Windows 64bit only), Apple Safari 11 (Mac OS X only), Microsoft IE11	
Application Programming Interface	ONVIF profile S, SUNAPI (HTTP API)	
Central Management Software & Recorder	SmartViewer, SSM, WiseNet Mobile Viewer, NVR (Hanwha Techwin P / X / Q series)	
<b>ENVIRONMENTAL</b>		
Operating Temperature / Humidity	-10°C ~ +50°C (+14°F ~ +122°F) / 20% ~ 80% RH	
<b>ELECTRICAL</b>		
Input Voltage / Current	DC12V, PoE(IEEE 802.3af)	
Power Consumption	Max. 3.6 W (DC 12V), Max. 4.0W (PoE)	
<b>MECHANICAL</b>		
Color / Material	White (Plastic), Silver (Metal)	
Dimension (WxHxD)	43.0 x 29.2 x 94.15mm (1.693" x 1.150" x 3.706")	
Weight	104g (0.229 lb)	

\* The latest product information / specification can be found at [hanwha-security.com](http://hanwha-security.com)

\* Design and specifications are subject to change without notice.

\* Wisenet is the proprietary brand of **Hanwha Techwin**.