

Hanwha - WRT/WWT- 3301/5301 - Field Replacement Unit - Memory

This document will demonstrate how to replace and install memory modules for the WRT/WWT units.

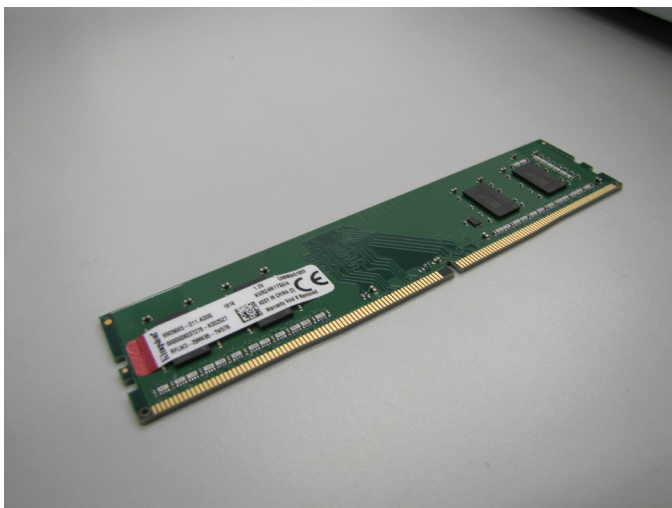
Step 1 - Prepare for Replacement



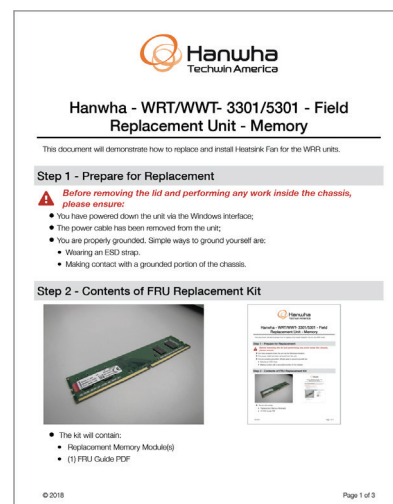
Before removing the lid and performing any work inside the chassis, please ensure:

- You have powered down the unit via the Windows interface;
- The power cable has been removed from the unit;
- You are properly grounded. Simple ways to ground yourself are:
 - Wearing an ESD strap.
 - Making contact with a grounded portion of the chassis.

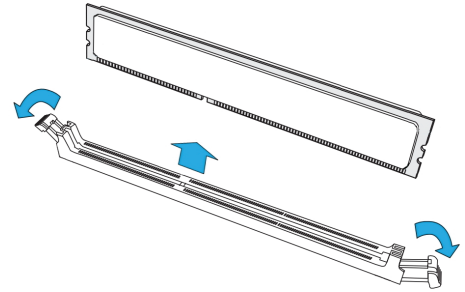
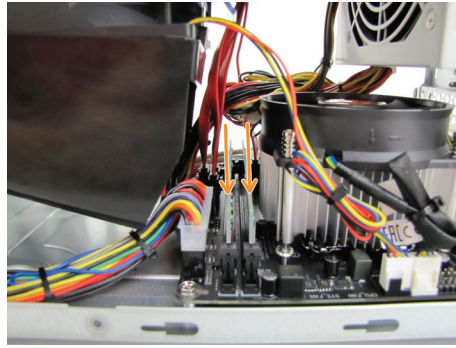
Step 2 - Contents of FRU Replacement Kit



- The kit will contain:
 - Replacement Memory Module(s)
 - (1) FRU Guide PDF

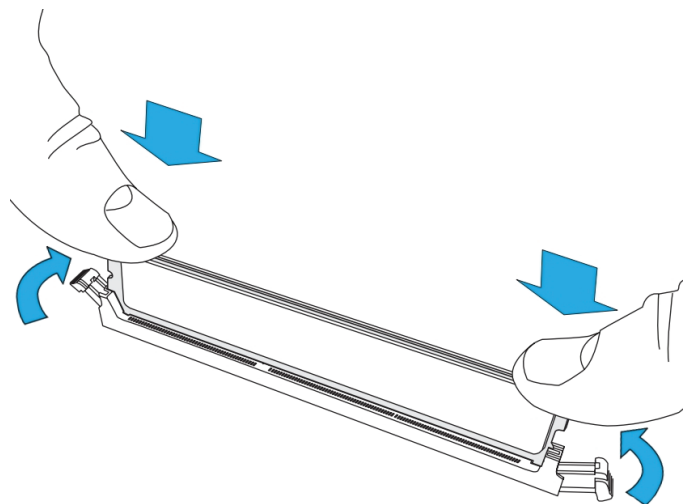
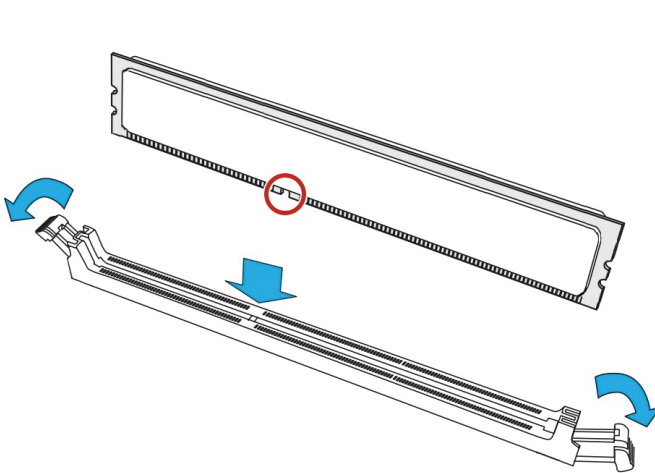


Step 3 - Remove/Install Memory Modules



- To remove the side panels from the chassis; loosen and remove the (4) highlighted screws.
 - Do not discard or misplace the lid screws.
- Locate the Memory Modules.
- Follow the diagram:
 - Push the release tabs away from the slot and the memory module will pop UP and OUT.
 - Note the notch in the module, and the “Receptive Point” on the slot.

Step 4 - Remove/Install Memory Modules 2



- Only add memory to a DIMM slot that was previously populated.
- Do not add a stick of RAM to a random slot, always ensure the RAM is installed in a sequence.
- The **WRT-5301** uses **two** memory modules.
- To install a stick of RAM:
 - Ensure the release tabs are in the open position
 - Align the notch in the module with the “Receptive Point” on the slot.
 - Then align the edges of the module with the DIMM slot on the motherboard and allow the module to slide down into the DIMM slot.
 - Once the module is properly inserted, use your thumbs and apply pressure down until the release tabs pop up and into the module and the module is locked in place.

Step 5 - Remove/Install Memory Modules 3



- When replacing the side panels, ensure the venting is toward the bottom of the unit.
- Reinstall the (4) screws
- Memory installation is complete.