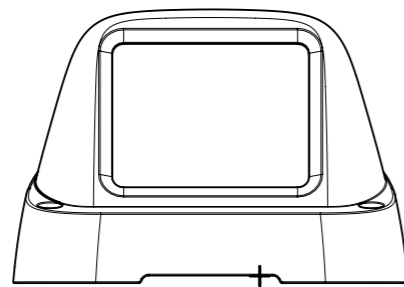
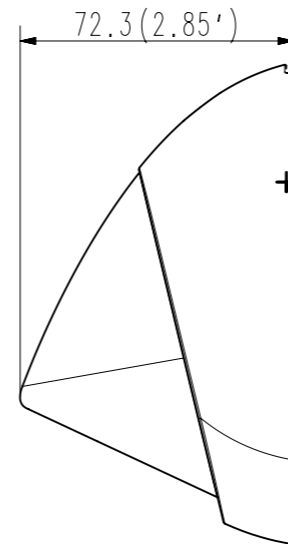
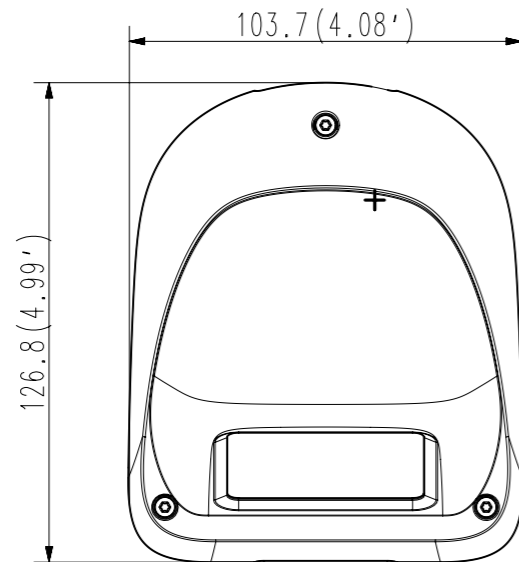


This parts should not contain any substances which are specified in AH60-0033K

NO	PART NAME	CODE NO.	MATERIAL	Q'TY	REMARK
1	ASSY-FINAL-XNV-6013M-171012	059188	MATERIAL	1	REMARK



STANDARD TOLERANCE

DIV	Lvl 1	Lvl 2	Lvl 3	Lvl 4	Lvl 5
0-16	±0.05	±0.1	±0.1	±0.2	±0.3
16-63	±0.05	±0.1	±0.2	±0.3	±0.4
63-250	±0.1	±0.2	±0.3	±0.4	±0.4
250-1000	±0.2	±0.3	±0.4	±0.5	±0.6

A3

CHANGE

UNIT	mm	DESIGN	CHECK	APPROVAL	PART NAME	ASSY-FINAL-XNV-6013M-171012
		M.Fujiwara	-	Approval	MODEL NAME	XNV-6013M
	SCALE	1/2	18.01.24	-	18.01.24	CODE NO.
Hanwha Techwin						