

TRM-410S/810S

4CH/8CH Mobile Network Video Recorder

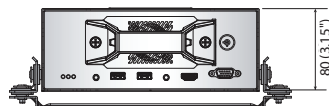
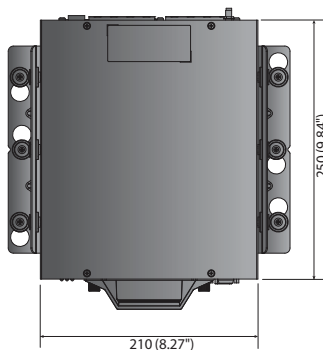


Key Features

- . Up to 4CH/8CH 8megapixel supported
- . Max. 50Mbps/80Mbps recording
- . 2 SATA (Front-swap)
 - Max. 2TB (HDD, Non-RAID mode)
 - Max. 4TB (SSD, Non-RAID mode)
- . RAID 1 support (TRM-810S)
- . Wisenet (SUNAPI) / ONVIF camera recording
- . H.265, H.265, MJPEG codec supported
- . WiseStream support

Dimensions

Unit : mm (inch)



Accessories



Control box



Wi-Fi / GPS antenna

		TRM-410S	TRM-810S
DISPLAY			
Network Camera	Inputs	Max. 4ch (4 PoE, RJ-45)	Max. 8ch (8 PoE, RJ-45)
	Resolution	CIF ~ 8MP	
	Protocols	Wisenet (SUNAPI), ONVIF	
Live	Local Display	HDMI / VGA	
	Multi-Channel Display	[Local Monitor] 1 / 2H / 2V / 3V / 4 / Auto sequence [Web] 1 / 4 / Auto sequence	[Local monitor] 1 / 2H / 2V / 3V / 4 / 6 / 8 / 9 / Auto sequence, [Web] 1 / 4 / 9 / Auto sequence
	Performance	[Local Monitor] 8MP (60fps), 5MP (90fps), 3MP (120fps), 2MP (120fps), 720p (120fps), D1 (120fps)	[Local Monitor] 8MP(60fps), 5MP(90fps), 3MP(120fps), 2MP(240fps), 720p(240fps), D1(240fps)
PERFORMANCE			
Operating System	Embedded	Linux	
Record	Compression	H.265, H.264, MJPEG, WiseStream (H.265, H.264)	
	Recording Bandwidth	Max. 50Mbps	Max. 80Mbps
	Resolution	CIF ~ 8MP	
	Type	Manual, Schedule (Continuous / Event), Event (Pre / Post), Emergency	
	Retention	Retention per channel (1~400 days)	
	Event Trigger	Alarm Input (6), Video Loss, Camera Event (Sensor, MD, Video Analytics, Defocus) G-Sensor (3 Axis)	
	Event Action	e-Mail, Alarm Out, Buzzer, Monitor Out	
Search & Play	Playback Bandwidth	32Mbps (4ch simultaneously)	32Mbps (8ch simultaneously)
	User	Max. 4 Users (Local 1, Remote 3)	
	Mode	Date & Time(Calendar) / Event Log list / Smart Search	
	Simultaneous Playback	Max. 4ch (Local Monitor, CMS)	Max. 8ch (Local Monitor, CMS)
	Resolution	CIF ~ 8MP	
	Fisheye Dewarping	Web / CMS	
	Playback Control	Fast / Slow Forward / Backward, Move one step Up / Down	
Storage	Built-In	0TB ~ 4TB	
	Internal HDD	2 SATA(Front-Swap) - Max. 2TB (HDD, Non-RAID Mode) - Max. 4TB (SSD, Non-RAID Mode)	
	RAID	N/A	RAID-1
Backup	File Backup	Exe (GUI), JPG/AVI (excluding GPS information)(Network)	
	Function	Multi channel (Up to 4ch) play, Date-time / Title / GPS display	Multi channel (Up to 8ch) play, Date-time / Title / GPS display
	Type	Auto (Wi-Fi), Manual (HDD/SSD)	
	Wifi Backup Performance	Max. 50Mbps	Max. 80Mbps
Sensor	I/O	6/4	
Audio	Input	4ch (Network)	8ch (Network)
	Compression	G.711, G.726, AAC (16/48KHz)	
	Audio Communication	2-Way	
NETWORK			
Interface		RJ-45 (Gigabit ethernet x1)	
Protocol		TCP/IP, UDP/IP, RTP (UDP), RTP (TCP), RTSP, NTP, HTTP, DHCP (Server, Client), PPPoE, SMTP, ICMP, IGMP, ARP, DNS, DDNS, uPnP, HTTPS, SNMP, ONVIF (Profile-S), SUNAPI (Server, Client)	
DDNS		Hanwha DDNS	
Transmission Bandwidth	Wired (LAN)	Max. 50Mbps	Max. 80Mbps
Max Remote Users		Search (3), Live Unicast (10), Multicast (20)	
IP Version		IPv4/v6	

		TRM-410S	TRM-810S
Security		IP address filtering, User access log, 802.1x, Encryption	
Wireless	WiFi	Internal (802.11 ac(5G)), 1T1R	
	3G / LTE	Support external 3G/LTE router (Ethernet)	
Language		English, French, German, Italian, Spanish, Russian, Turkish, Polish, Dutch, Swedish, Czech, Portuguese, Danish, Rumanian, Serbian, Croatian, Hungarian, Greek, Norwegian, Finnish, Korean, Chinese, Japanese, Thai	
OS		Windows 7, 8, 10, Mac OS X (10.8 or above)	
Web Browser		MS IE, Google Chrome, Mac Safari	
Viewer Software	Type	SSM Transportation, Webviewer	
	CMS Support	Support SDK/CGI(SUNAPI) for integration to 3'rd party VMS	
FUNCTIONS			
Camera Setup	Register	Auto, Manual	
	Setup Items	IP address, Profile add/edit, Bitrate, Compression, Camera MD setup Camera video setup (Simple focus, Brightness/Contrast, Flip/Mirror, Iris, WDR, D&N, SSNR, Shutter, SSSDR, DIS), Fisheye dewarping mode, Hallway view Setup, Camera webpage, Wisestream On/Off	
Camera Control Max. Framerate	PoE/PoE+ Power Control	Monitor PoE/PoE+ power consumption, On/Off control for each PoE/PoE+ camera, Remote reset for each PoE/PoE+ camera	
	Time Sync.	NVR time protocol for PoE/PoE+ camera (Time sync based on NVR time) GPS time sync	
PTZ	Control	Via GUI, Webviewer	
	Preset	300 Presets	
System Control		Mouse, Web	
INDICATOR/INTERFACE			
Front	Indicator	LED (Status indicator) : 3ea - Power 1, Alarm 1, Record 1	
	Power Switch	N/A	
	Audio	Out (1ea, Line)	
	HDMI / VGA	2ea (Support live monitor screen up to 9div. mode, Clone) HDMI : Up to 4K (3840 x 2160), VGA : Max. 1080p	
	USB	3ea (Front x2, Rear x1)	
	HDD Key Lock	1ea (Power switch)	
Connections	Ethernet	Viewer : 1ea (100Mbps, RJ-45) PoE Camera Input : 4ea (100Mbps, RJ-45)	Viewer : 1ea (1000Mbps, RJ-45) PoE Camera Input : 8ea (100Mbps, RJ-45)
	Control I/O	RJ-45 1ea (External Control Box) (1) Status LED (2) G-Sensor(3 Axis) (3) Emergency Recording button (4) Power Switch (5) Audio Out	
	Alarm	(1) In (6ea) (2) Out (4ea)	
	Serial	1 RS-232C (Reserved)	
	WiFi	1ea (RP-SMA, F)	
	GNSS	1ea (4pin Micro-Fit), Support GPS/Glonass	
	3G/LTE	N/A	
	Reset	Switch (1ea, PW clear)	
	Power Cord	6pin connector 1ea	
	SYSTEM		
Power Management	Shutdown Delay	Max. 72Hrs (User selectable)shutdown / Support CGI shutdown	
	Startup Delay	0 (Default) sec ~ 10 Min (User selectable)	
Log	Log List	Max. 20,000 (System log, Event log each)	
ENVIRONMENTAL			
Operating Temperature / Humidity		-25 to +55 °C(-13 to +131 °F) : HDD installed	
Humidity		20% ~ 85% RH	

TRM-410S
TRM-810S
ELECTRICAL

Power	9 ~ 36V DC Battery power detection & Low power limit setup	
Power Consumption	Max. 83W	Max. 122W
PoE Budget	Max. 32W	Max. 64W

MECHANICAL

Color / Material	Black / Steel	
Dimension (WxHxD)	210mm x 80mm x 250mm (8.27" x 3.15" x 9.84")	
Weight	Approx. 3.4Kg (7.5lb, without HDD)	

STANDARD APPROVAL

Certification	EN-50155, EN-50121-3, EN-61373	
---------------	--------------------------------	--

Control Box
INDICATOR/INTERFACE

Top	Indicator	LED (Status indicator) : 6ea - Power 1, Alarm 1, Record 1, GPS 1, RAID 1, HDD Error 1
	Emergency Button	1ea
Connections	Audio Out	1ea (RCA, Line)
	EXT. Switch	1ea (4pin Micro-Fit)
	Main I/O	1ea (DB9)

MECHANICAL

Color / Material	Black / Aluminium	
Dimension (WxHxD)	118 x 29.2 x 70mm (4.64" x 1.15" x 2.75")	
Weight	Approx. 0.2Kg (0.4lb)	

* The latest product information / specification can be found at hanwha-security.com

* Design and specifications are subject to change without notice.

* Wisenet is the proprietary brand of **Hanwha Techwin**.