

Hanwha - WRR-5301/5501 - Field Replacement Unit - Memory

This document will demonstrate how to replace and install memory modules, for the WRR-5301/5501 units.

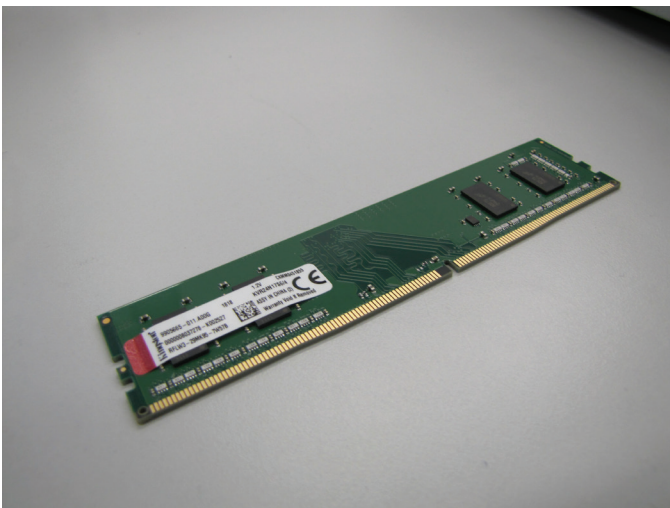
Step 1 - Prepare for Hard Drive Replacement



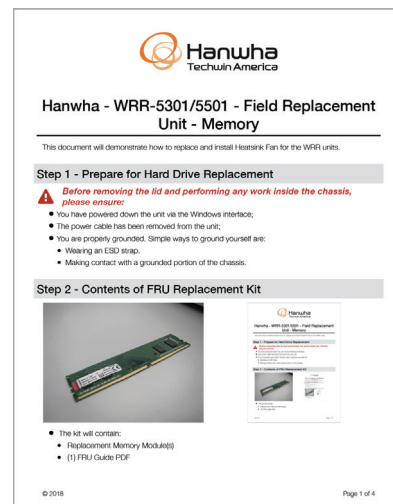
Before removing the lid and performing any work inside the chassis, please ensure:

- You have powered down the unit via the Windows interface;
- The power cable has been removed from the unit;
- You are properly grounded. Simple ways to ground yourself are:
 - Wearing an ESD strap.
 - Making contact with a grounded portion of the chassis.

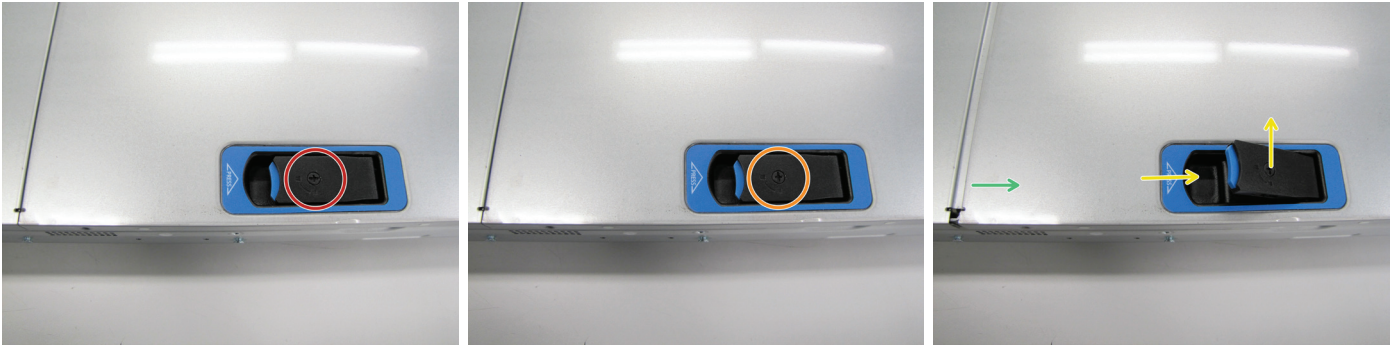
Step 2 - Contents of FRU Replacement Kit



- The kit will contain:
 - Replacement Memory Module(s)
 - (1) FRU Guide PDF

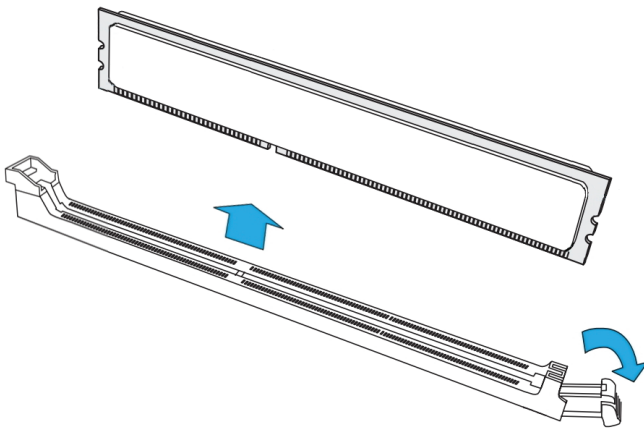


Step 3 - Remove the Lid



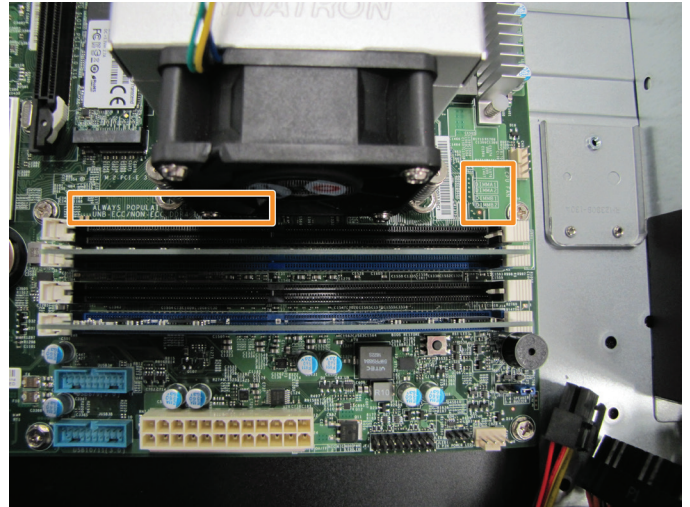
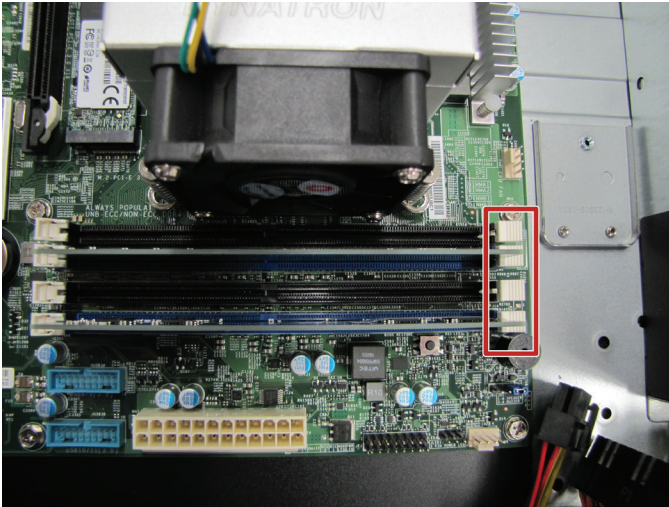
- Unlock the lid to remove it.
 - ⓘ Use a small flathead or Phillips screwdriver.
- **Turn the lock counter clock-wise to unlock.**
 - ⓘ The lid is in the **unlocked** position when the **long** slot is pointing at the open padlock engraving.
- Press the blue button in, and lift up to release the lid.
- The lid will slide away from the chassis and can be removed.

Step 4 - Memory Module Removal



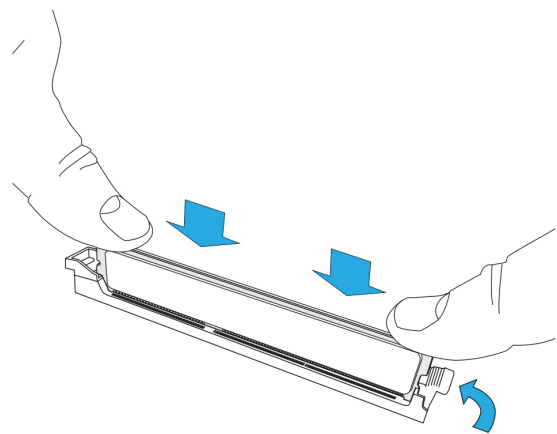
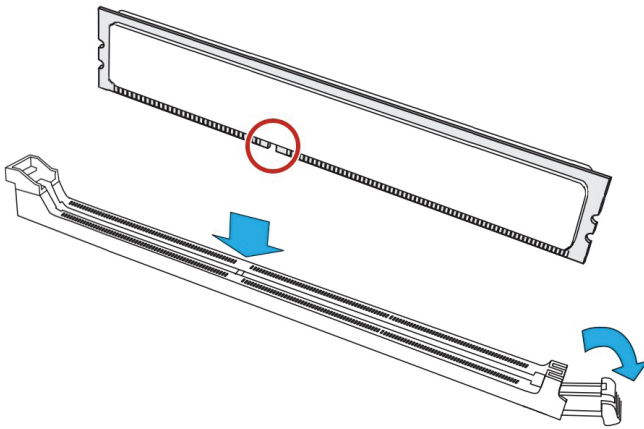
- ⓘ Verify the motherboard model installed in the unit.
- As of this guide's creation the MB used for these units is the **Supernmicro X11SAE-M**
- To remove a memory module:
 - Push the release tab on the DIMM slot away from the module.
 - This will pop the module upward and out of the DIMM slot allowing for the removal of the module from the slot.

Step 5 - Memory Module Installation



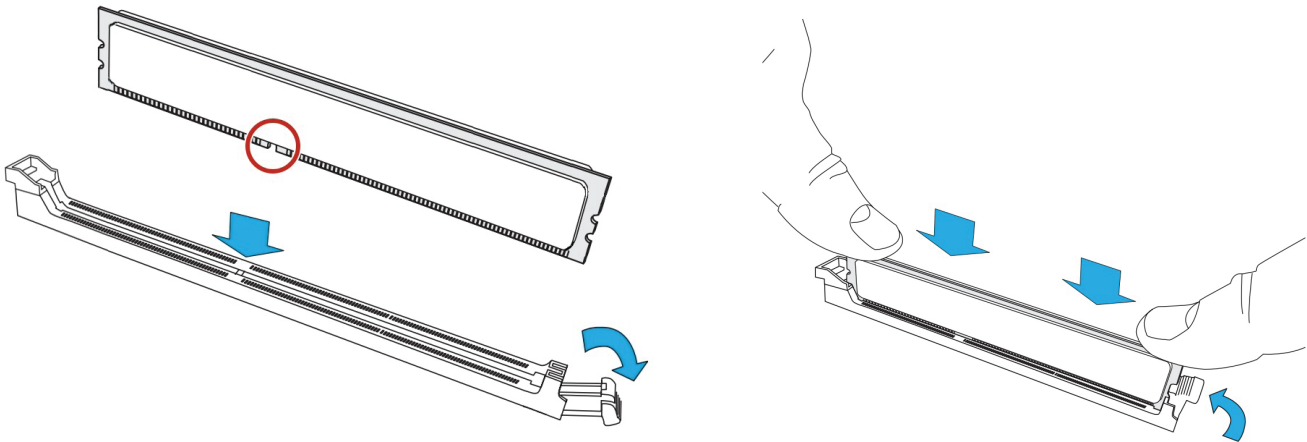
- Note that this motherboard only has a release tab on one side of the DIMM slot.
- The silk-screening on the motherboard explains the order in which the DIMMs should be installed.
 - ❶ The motherboard manual is also a great resource for understanding how to set up the motherboard.
- According to the instruction on the motherboard, populate the **blue** DIMM slots first.
 - ❶ The numbering on those slots is **DIMMB2** and **DIMMA2**.

Step 6 - Memory Module Installation



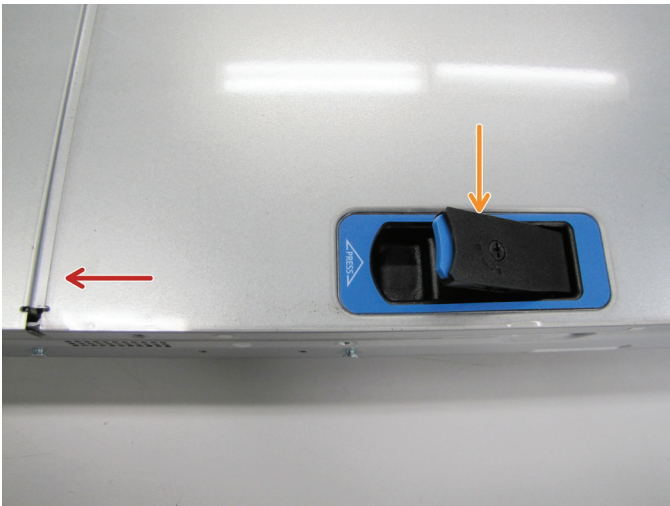
- ❶ Only add memory to a DIMM slot that was previously populated.
- ❶ Do not add a stick of RAM to a random slot, always ensure the RAM is installed in a sequence.
- ❶ Always install memory in **pairs**.

Step 6 - Memory Module Installation Continued



- To install a stick of RAM:
 - Ensure the release tab is in the open position
 - Align the notch in the module with the “Receptive Point” on the slot.
 - Then align the edges of the module with the DIMM slot on the motherboard and allow the module to slide down into the DIMM slot.
 - Once the module is properly inserted, use your thumbs and apply pressure down until the release tab pops up and into the module and the module is locked in place.

Step 7 - Replace the Lid



- Once placed correctly on the chassis, the lid will slide into place.
- Press the latch down to lock the lid in place.
- Using a small flat head or Phillips screwdriver, turn **clock-wise** to **lock** the latch.